



SHARK ATV/UTV STEEL SNOW PLOW 67"/ 170 cm with Quick adapter

Product Code: 314-170-STEEL-QUICK-B

USER & ASSEMBLY MANUAL



Dear Customer,

thank you for purchasing SHARK Snow Plow with quick release system. This snow plow is intended for clearing snow, sand, gravel and other loose materials. Read all the instructions and warnings carefully before using this product. Failure to follow warnings and instructions can result in severe injury, death, or property damage. Before installation, check if all parts are included and without damage. If not, contact the seller. Keep these instructions in a safe place for future reference. Use this product with original parts only. The seller or distributor cannot be held responsible in the event of damage or injury due to incorrect use of this product. Information in this manual is believed to be correct at the time of printing. ASP Group s.r.o reserves the right to change or modify any of the specifications without notice or obligation to update existing products. Repairs should only be carried out by a specialist or a professional and experienced technician. Never attempt to repair the product by yourself.

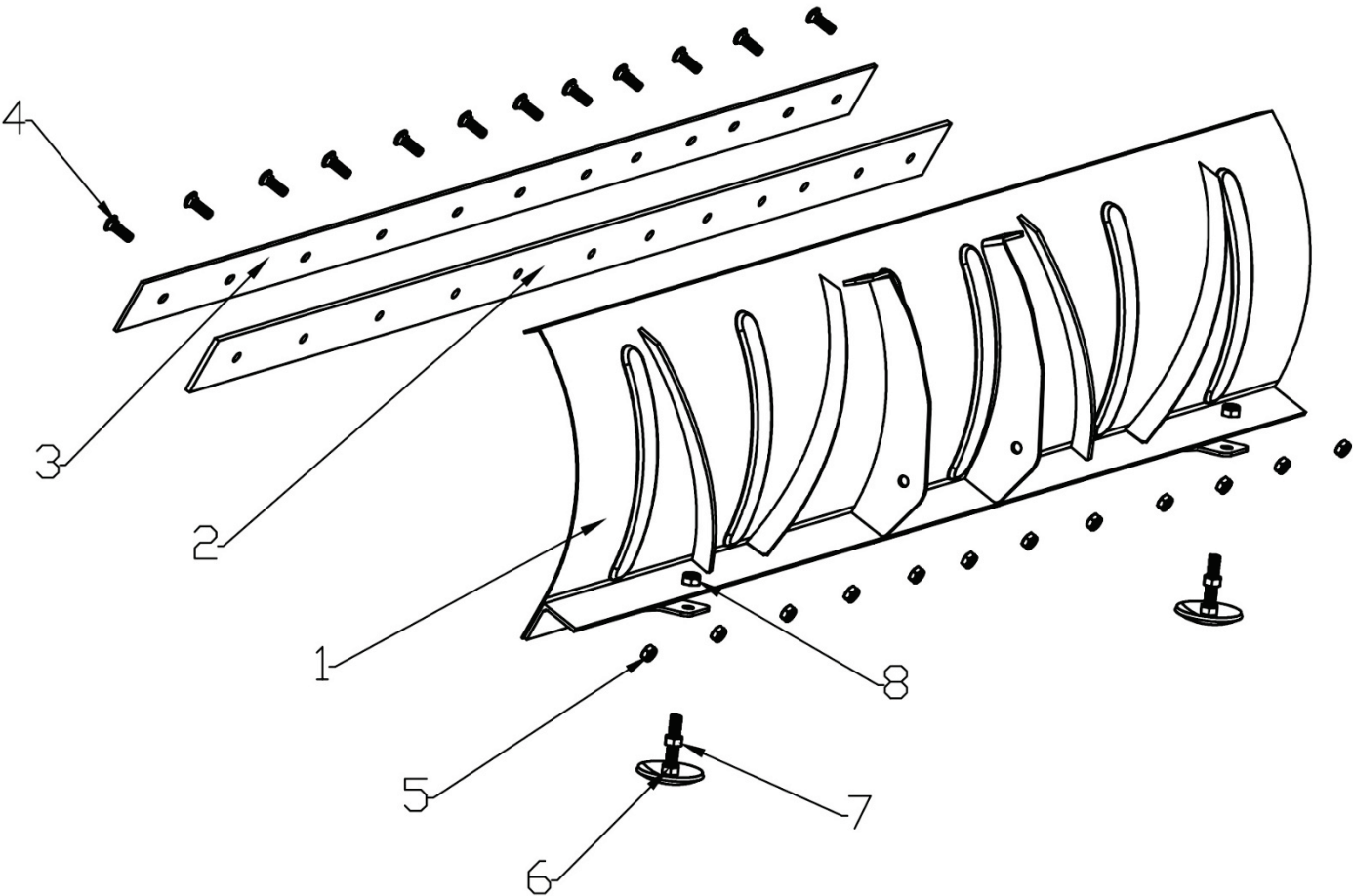
AFTER ASSEMBLING THE SNOW PLOW, CHECK THAT ALL BOLTS AND NUTS ARE TIGHTENED!

www.shark-accessories.eu



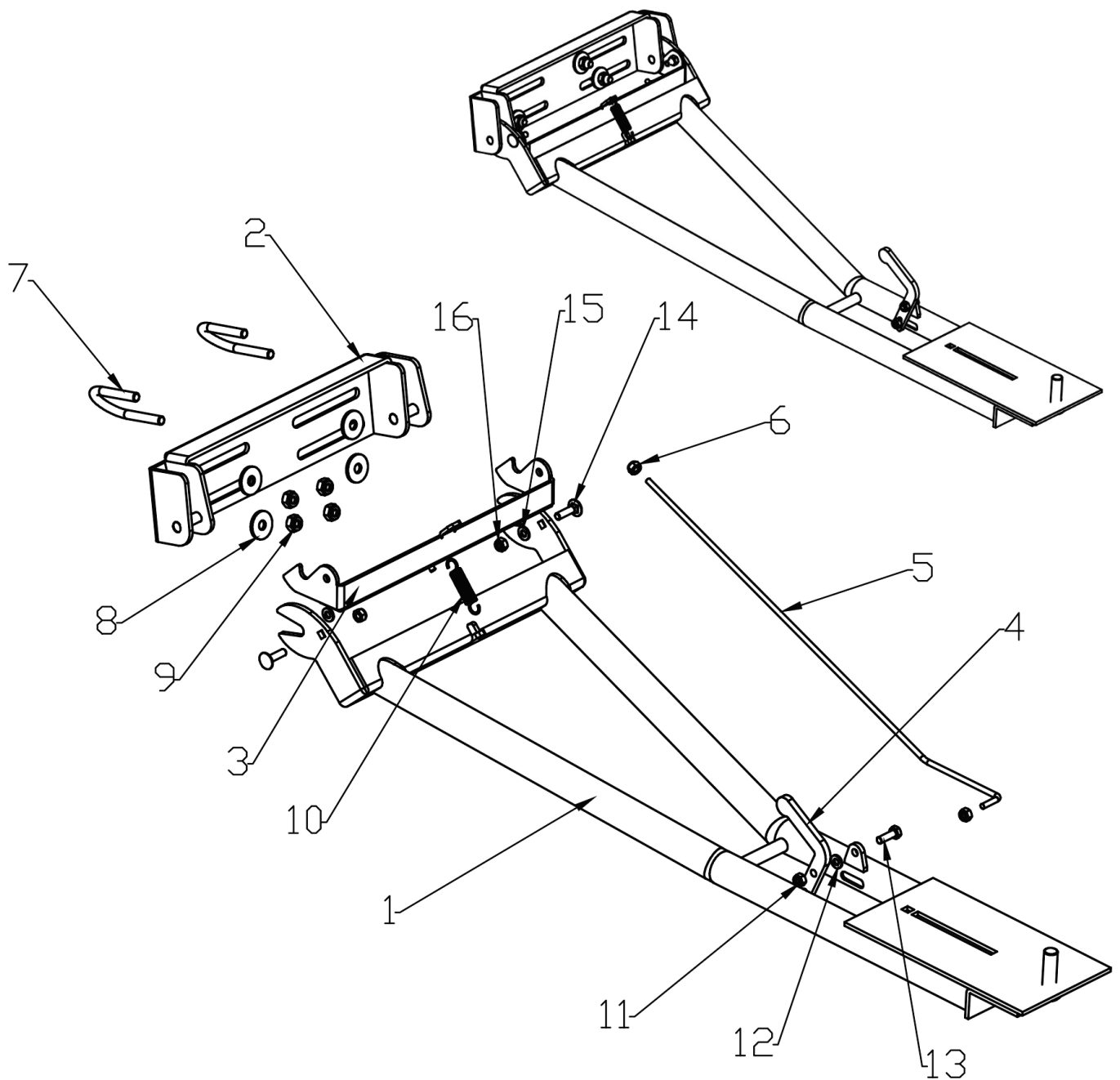
SHARK professional Accessories
Staroplzenecka 290 / 326 00 / Letkov / Czech Republic
+420 378 21 21 21 / info@shark-accessories.eu

Blade assembly



No.	Part	Qty
1	Snow Plow 67"/ 170 cm	1
2	Rubber Blade Lip 67"/ 170 cm	1
3	Steel Blade 67"/ 170 cm	1
4	Hexagon screw M8x25	12
5	Lock nut M8	12
6	Height adjuster / Skid shoe	2
7	Nut M12	2
8	Lock nut M12	2

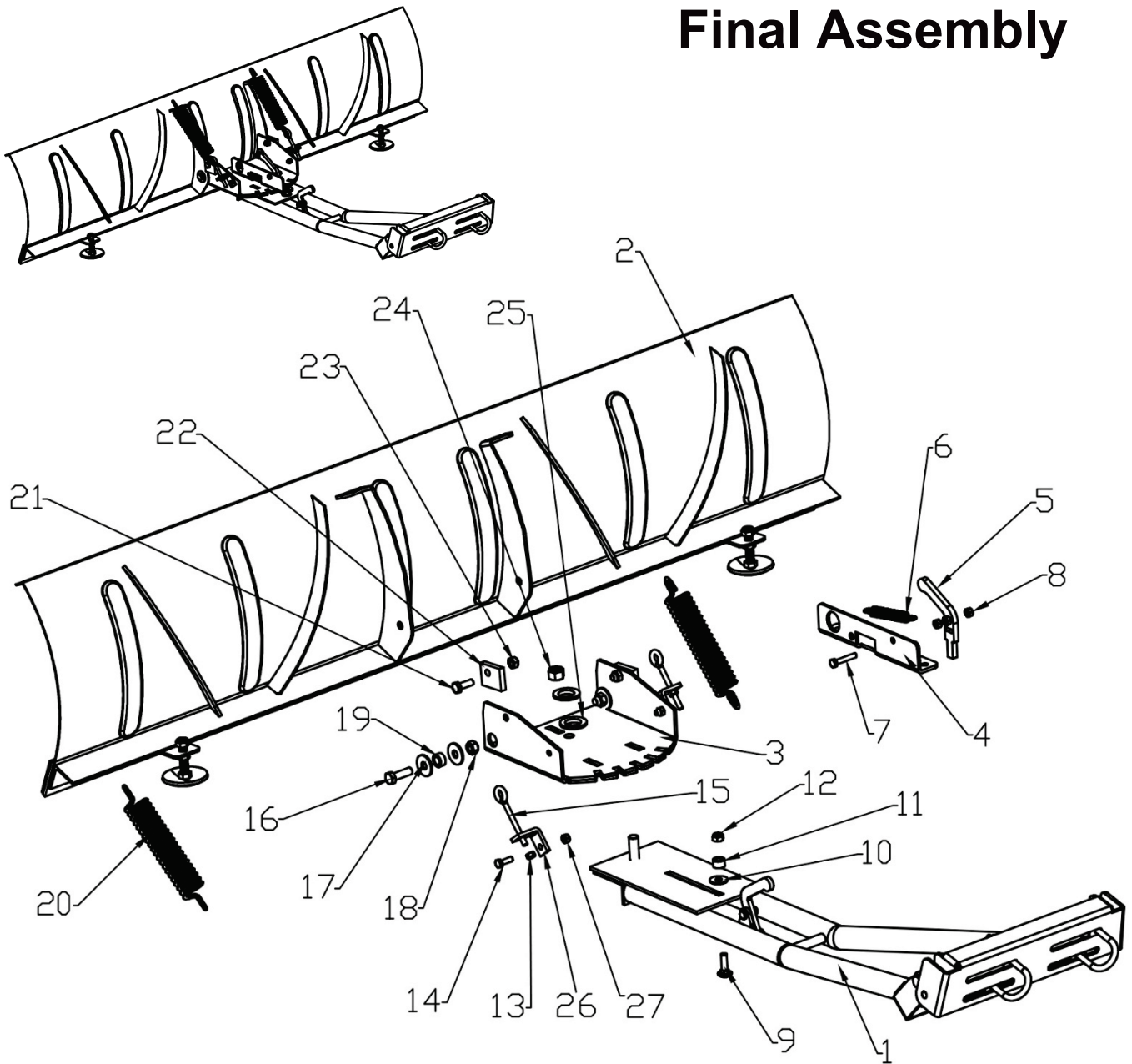
Adapter and Mounting Kit Assembly



No.	Part	Qty
1	Adapter	1
2	Chassis Mount	1
3	Adapter Lock	1
4	Locking Lever	1
5	Control Rod	1
6	Lock Nut M6	2
7	U-bolt	2
8	Washer M8 (ø30/2,5 mm)	4

9	Lock Nut M10	4
10	Spring	1
11	Lock Nut M8	1
12	Washer M8 (ø18/2,5-3 mm)	1
13	Hexagon screw M8x25	1
14	Screw M8x25	2
15	Washer M8 (ø16/1,3 mm)	2
16	Lock Nut M8	2

Final Assembly



No.	Part	Qty
1	Assembled adapter	1
2	Assembled blade	1
3	Blade adjustment plate	1
4	Locking lever plate	1
5	Locking lever	1
6	Locking lever spring (ø 17 mm)	1
7	Hexagon screw M8x45	1
8	Lock Nut M8	3
9	Screw M10x35	1
10	Washer M10 (ø30/2,5 mm)	1
11	Spacer insert	1
12	Lock Nut M10	1
13	Spacer insert	2

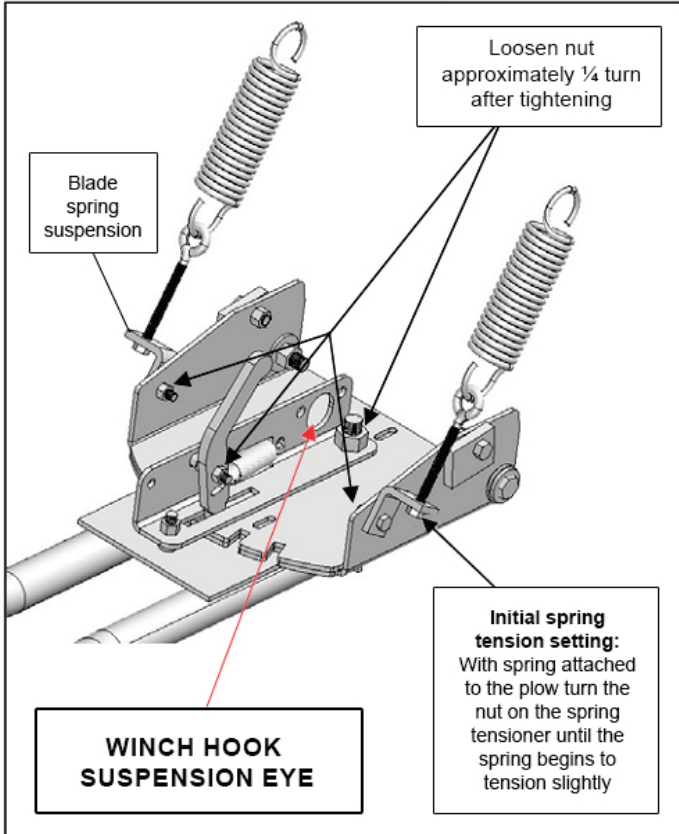
14	Hexagon screw M8x25	2
15	Spring tension screw	2
16	Hexagon screw M12x40	2
17	Washer M16 (ø37/3 mm)	4
18	Lock Nut M12	2
19	Spacer insert	2
20	Spring ø43 mm	2
21	Hexagon Screw M10x30	2
22	Excenter / Blade tilt stopper	2
23	Lock nut M10	2
24	Lock Nut M16	1
25	Washer M16 (ø30/3 mm)	2
26	Spring Catch	2
27	Lock Nut M8	2

Installation and control

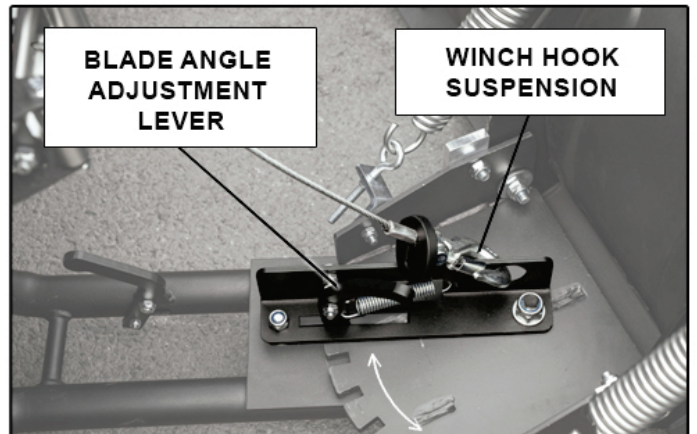
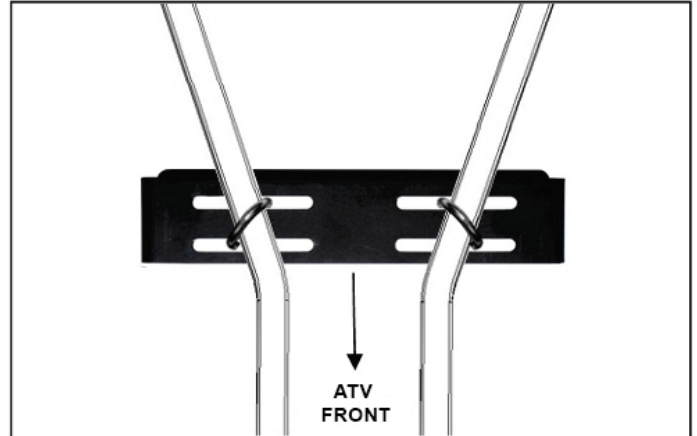
Notes: Before installing snow plow it's necessary to modify adapter (plastic guards or panels). It depends on type of each ATV/UTV.

ADJUSTMENT OF BLADE HINGES

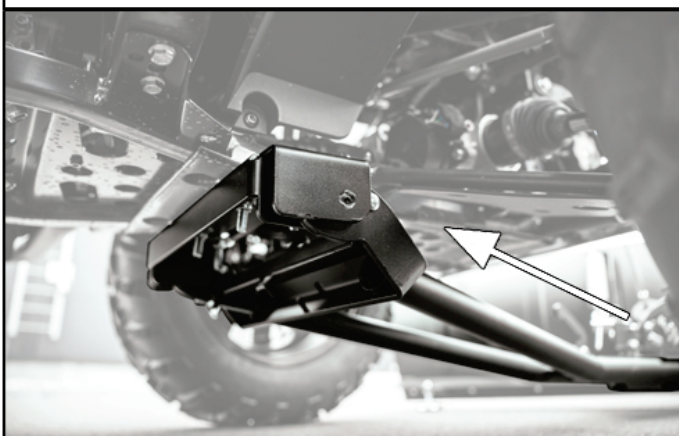
Blade hinge parts must pivot – see illustration and notes



FASTENING THE ASSEMBLY KIT TO THE MACHINE FRAME



INSTALLING THE BLADE IN THE ASSEMBLY KIT



BLADE RELEASE LEVER

